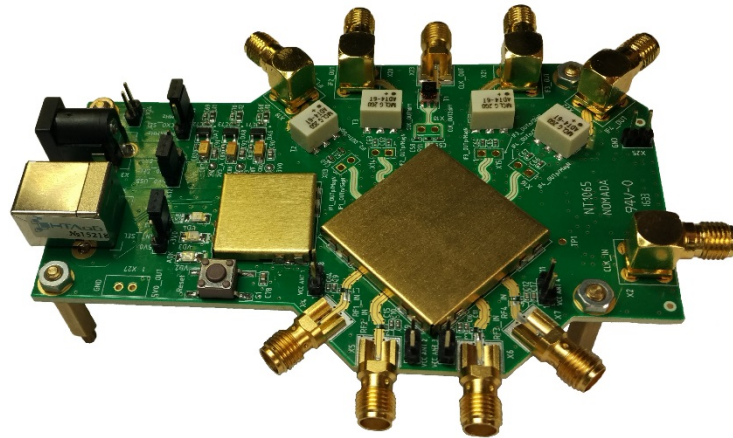


1 OVERVIEW

NT1065_EVK_V2 is an evaluation platform for performance and capabilities demonstration of NT1065 "Nomada": 4-channel GPS/GLONASS/Galileo/Beidou/IRNSS/QZSS L1/L2/L3/L5 band RF Front End. It is suitable the most for in-lab examining with measurement equipment like spectrum analyzer, oscilloscope, network analyzer and etc, but also it has connectors for wiring to external development platforms.

2 KEY FEATURES

- IO ports:
 - Every channel individual RF input with active antenna supply option
 - Every channel IF output ready to connect either as digital 2-bit CMOS or differential analog signal (single ended is also available as assembly option)
 - External reference frequency input (TCXO)
 - CLK output ready to connect either as CMOS or LVDS (single-ended sinewave is also available as assembly option)
 - Embedded USB to SPI adapter for NT1065 registers configuration
- On-board reference frequency sources:
 - 10 MHz 0.28ppm high-stability TCXO
 - 24.84 MHz 1.5ppm TCXO
- Additional modules:
 - 1 to 4 RF splitter
 - 2 to 4 RF splitter
 - 4-channel RF preselector
- Comprehensive software and manual:
 - NT1065 EVK2 user manual
 - GUI for NT1065 registers access (Windows 7/8/8.1/10 and Linux Ubuntu 16.04 compatible)
 - Configuration examples
 - Database of PCB reference design



3 STRUCTURE

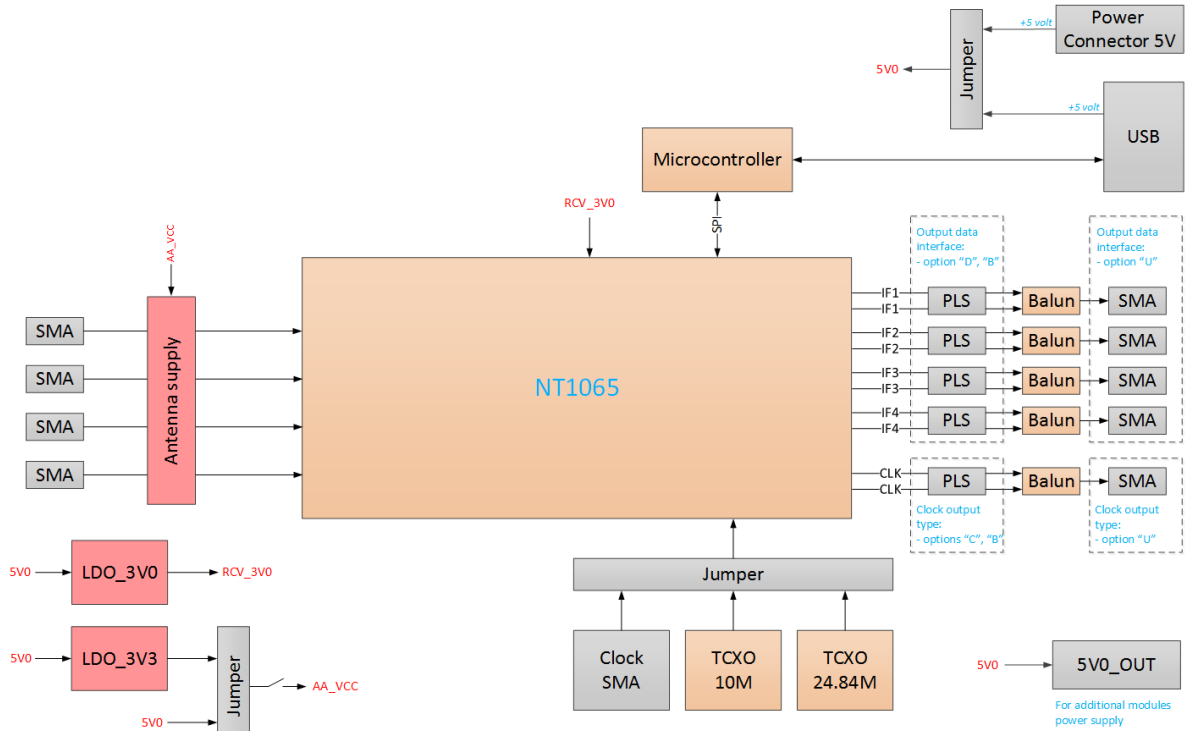
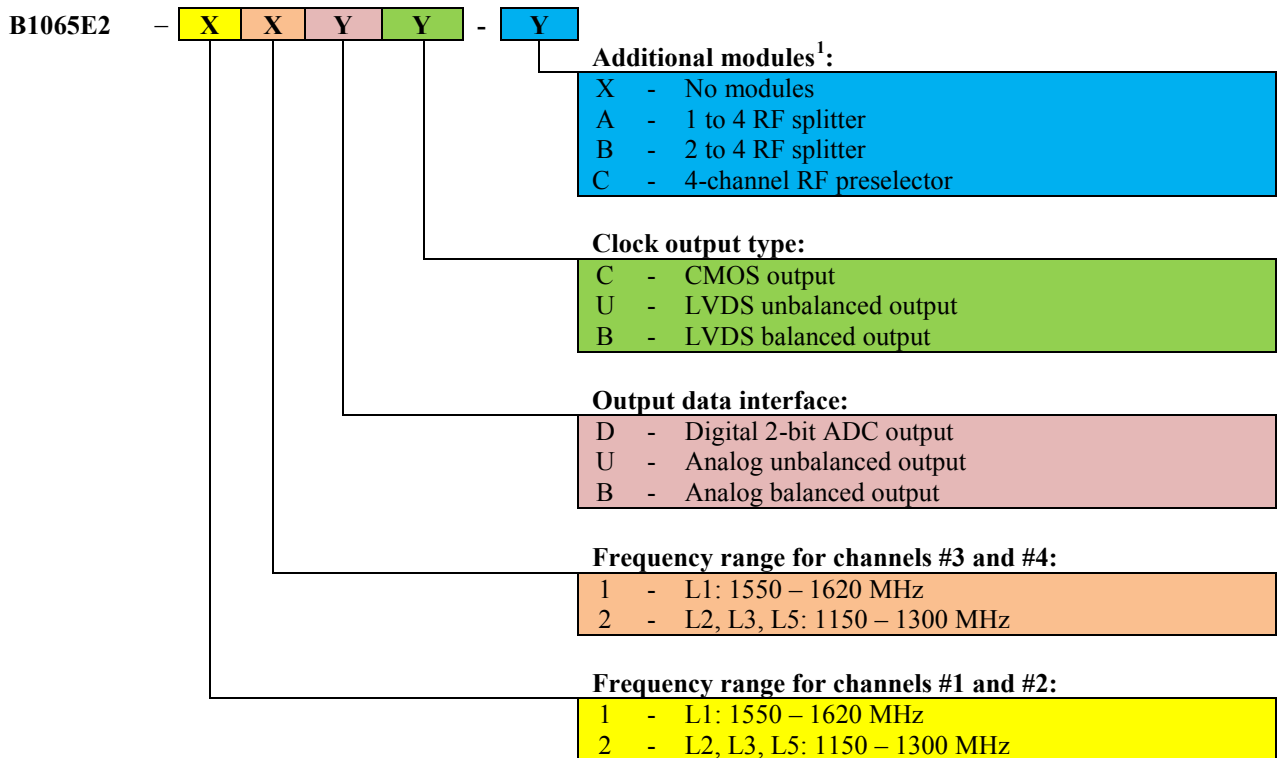


Figure 1: Block diagram

4 ORDERING INFORMATION



¹ If several additional modules are required, please, add corresponding symbols consequently, e.g. B1065E2-12UU-AB. Refer to document "NT1065_additional_modules_vx.xx.pdf" for description and assembly options.