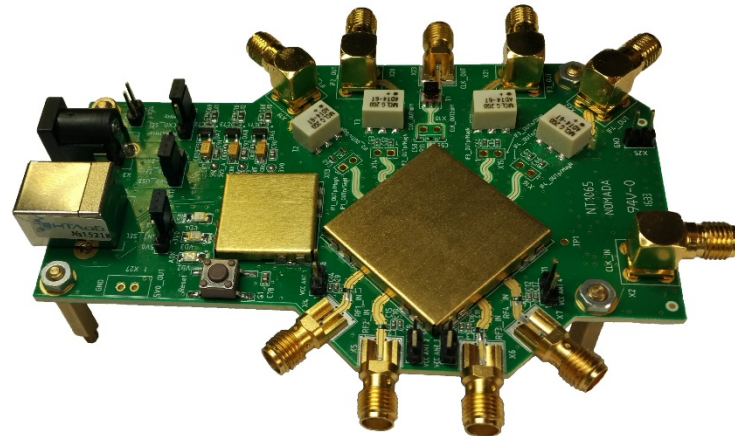


## 1 OVERVIEW

NT1065\_EVK2 is an evaluation platform for performance and capabilities demonstration of NT1065 "Nomada": 4-channel GPS/GLONASS/Galileo/Beidou/IRNSS/QZSS L1, L2, L3, L5, E1, E5a, E5b, E6, B1, B2, B3 band RF Front End. It is suitable the most for in-lab examining with measurement equipment like spectrum analyzer, oscilloscope, network analyzer and etc, but also it has connectors for wiring to external development platforms.

## 2 KEY FEATURES

- IO ports:
  - Every channel individual RF input with active antenna supply option
  - Every channel IF output ready to connect either as digital 2-bit CMOS or differential analog signal (single ended is also available as assembly option)
  - External reference frequency input (TCXO)
  - CLK output ready to connect either as CMOS or LVDS (single-ended sinewave is also available as assembly option)
  - Embedded USB to SPI adapter for NT1065 registers configuration
- On-board reference frequency sources:
  - 10 MHz 0.28ppm high-stability TCXO
  - 24.84 MHz 1.5ppm TCXO
- Additional modules:
  - 1 to 4 RF splitter
  - 2 to 4 RF splitter
  - 4-channel RF preselector
- Comprehensive software and manual:
  - NT1065 EVK2 user manual
  - GUI for NT1065 registers access (Windows 7/8/8.1/10 and Linux Ubuntu 16.04 compatible)
  - Configuration examples
  - NT1065 datasheet
  - Database of PCB reference design (on request)



### 3 STRUCTURE

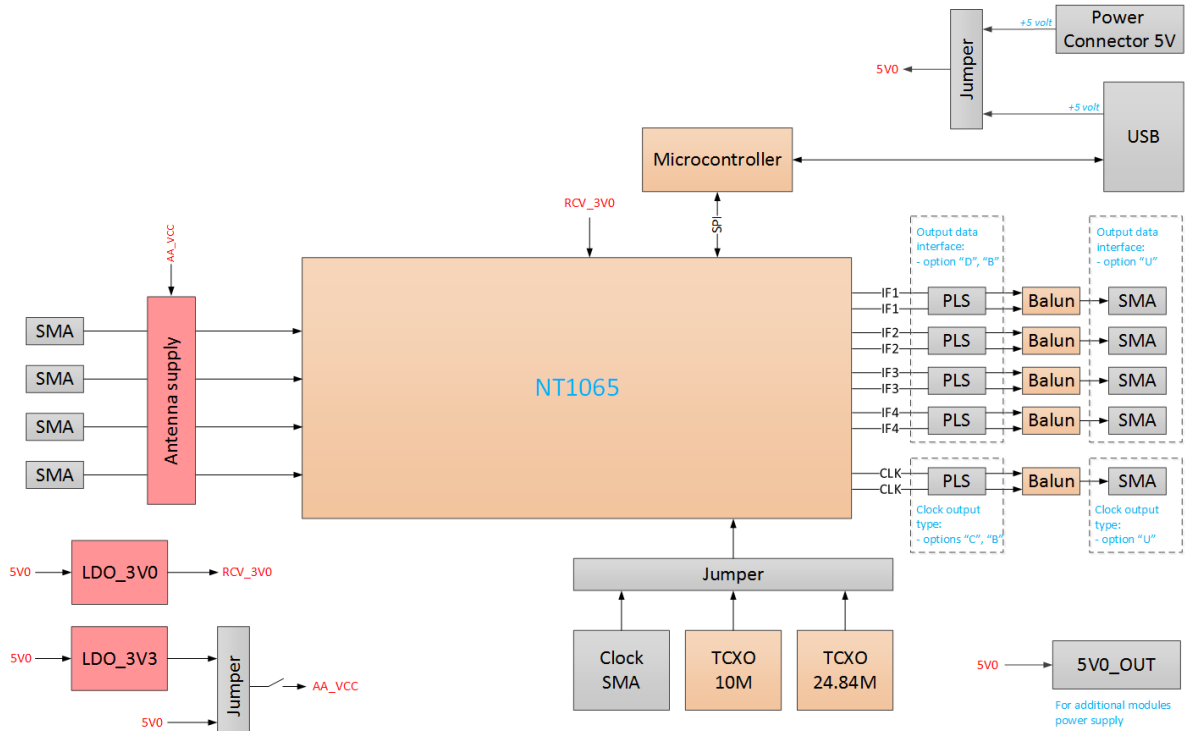
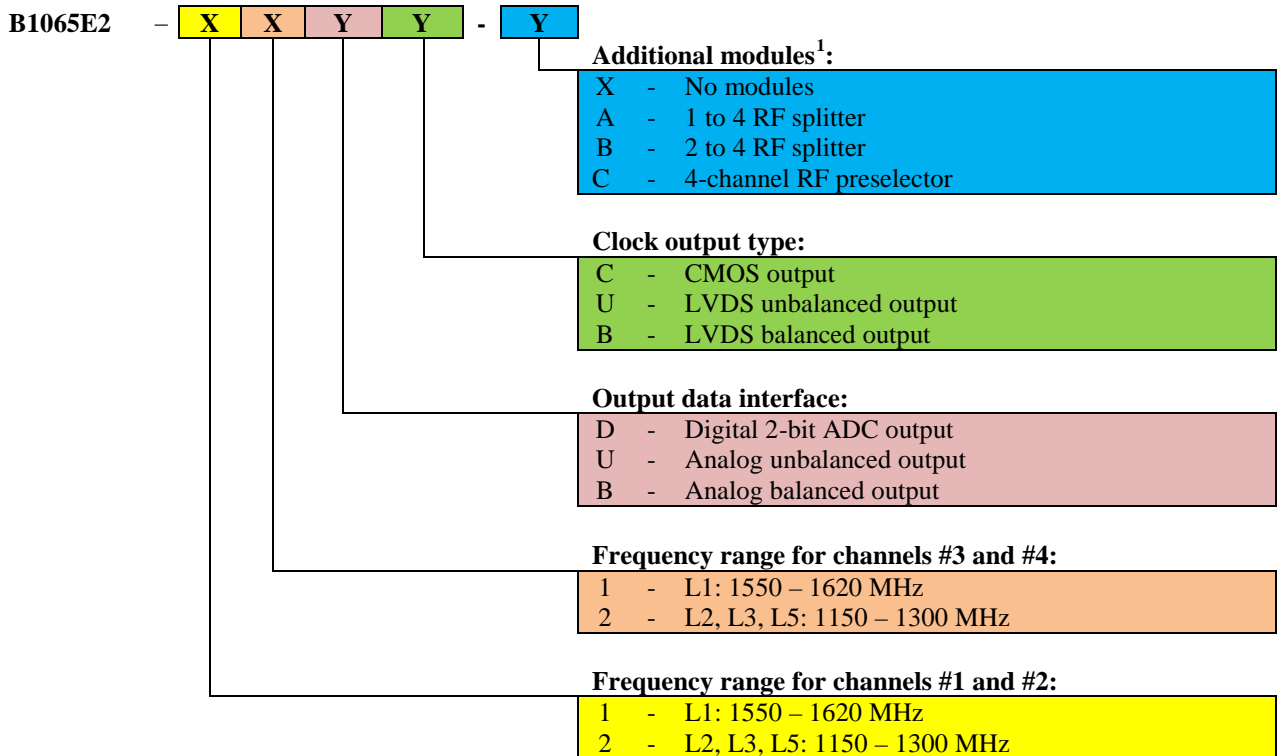


Figure 1: Block diagram

### 4 ORDERING INFORMATION



<sup>1</sup> If several additional modules are required, please, add corresponding symbols consequently, e.g. B1065E2-12UU-AB. Refer to document "NT1065\_additional\_modules\_vx.xx.pdf" for description and assembly options.