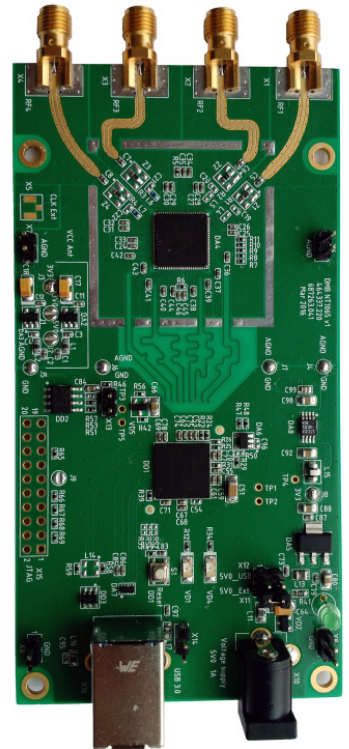


1 OVERVIEW

NT1065_USB3 is an evaluation platform for performance and capabilities demonstration of NT1065 "Nomada": 4-channel GPS/GLONASS/Galileo/Beidou/IRNSS/QZSS L1/L2/L3/L5 band RF Front End. It includes USB3 data converter thus allowing an user to process captured satellite signals on a PC. Data rate is configurable and may be as high as 800 Mbps (200 Mbps per channel)

2 KEY FEATURES

- IO ports:
 - Every channel individual RF input
 - External reference frequency input (TCXO)
 - USB3.0 output
- On-board reference frequency sources:
 - 10 MHz 0.28ppm high-stability TCXO
 - 24.84 MHz 1.5ppm TCXO
- Additional modules:
 - 1 to 4 RF splitter
 - 2 to 4 RF splitter
 - 4-channel RF preselector
- Comprehensive software and manual:
 - GUI for NT1065 registers access (Windows 7/8/8.1/10 and Linux Ubuntu 16.04 compatible)
 - GUI for USB3 data capture
 - Configuration examples
 - Complete NT1065 "Nomada" user guide
 - Database of PCB reference design



3 STRUCTURE

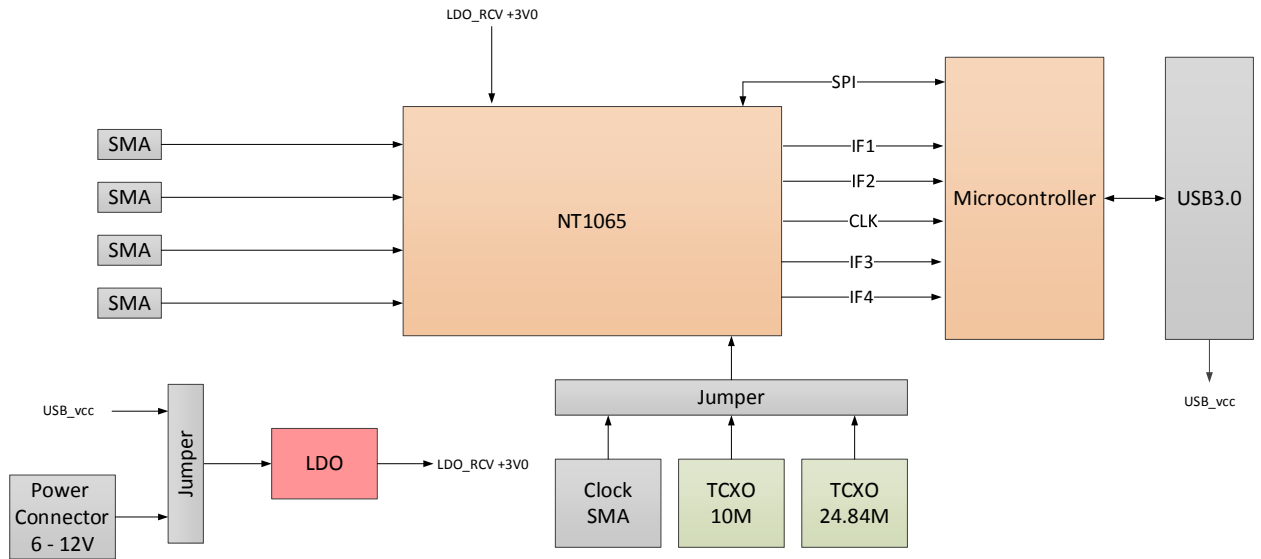


Figure 1: Block diagram

4 ORDERING INFORMATION

B1065U1 - **X** **X** - **Y**

Additional modules¹:

- X - No modules
- A - 1 to 4 RF splitter
- B - 2 to 4 RF splitter
- C - 4-channel RF preselector

Frequency range for channels #3 and #4:

- 1 - L1: 1550 – 1620 MHz
- 2 - L2, L3, L5: 1150 – 1300 MHz

Frequency range for channels #1 and #2:

- 1 - L1: 1550 – 1620 MHz
- 2 - L2, L3, L5: 1150 – 1300 MHz

¹ If several additional modules are required, please, add corresponding symbols consequently, e.g. B1065U1-12-AB. Refer to document "Additional modules_NT1065.pdf" for description and assembly options.