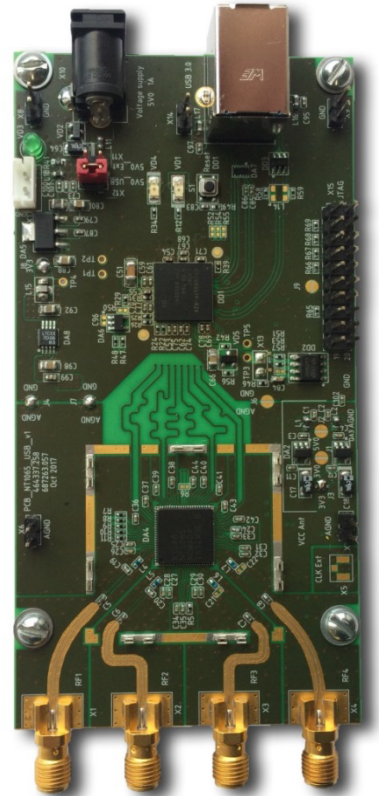


1 OVERVIEW

NT1065_USB3 is an evaluation platform for performance and capabilities demonstration of NT1065 "Nomada": 4-channel GPS/GLONASS/Galileo/BeiDou/IRNSS/QZSS L1, L2, L3, L5, E1, E5a, E5b, E6, B1, B2, B3 band RF Front End. It includes USB3 data converter thus allowing an user to process captured satellite signals on a PC. Data rate is configurable and may be as high as 800 Mbps (200 Mbps per channel)

2 KEY FEATURES

- IO ports:
 - Every channel individual RF input
 - External reference frequency input (TCXO)
 - USB3.0 output
- On-board reference frequency sources:
 - 10 MHz 0.28ppm high-stability TCXO
- Additional modules:
 - 1 to 4 RF splitter
 - 2 to 4 RF splitter
 - 4-channel RF preselector
- Comprehensive software and manual:
 - GUI for NT1065 registers access (Windows 7/8/8.1/10 and Linux Ubuntu 16.04 compatible)
 - GUI for USB3 data capture
 - Configuration examples
 - Complete NT1065 "Nomada" user guide
 - Database of PCB reference design (on request)



3 STRUCTURE

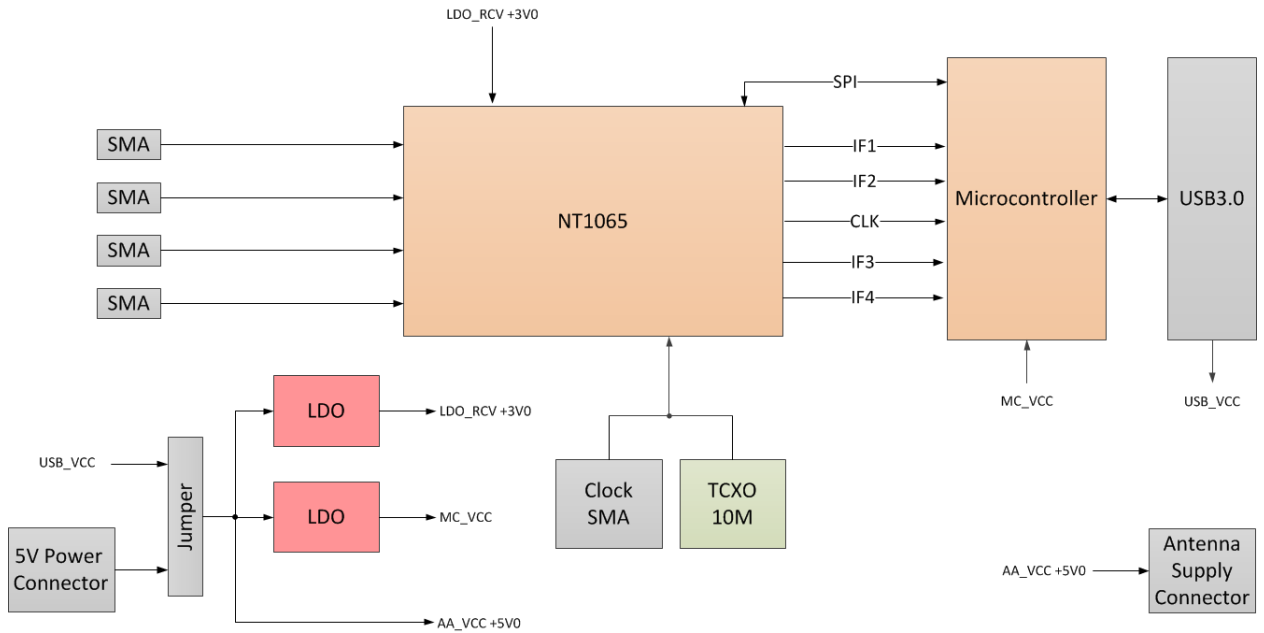


Figure 1: Block diagram

4 ORDERING INFORMATION

B1065U1 - **X** **X** - **Y**

Additional modules¹:

- X - No modules
- A - 1 to 4 RF splitter
- B - 2 to 4 RF splitter
- C - 4-channel RF preselector

Frequency range for channels #3 and #4:

- 1 - L1: 1550 – 1620 MHz
- 2 - L2, L3, L5: 1150 – 1300 MHz

Frequency range for channels #1 and #2:

- 1 - L1: 1550 – 1620 MHz
- 2 - L2, L3, L5: 1150 – 1300 MHz

¹ If several additional modules are required, please, add corresponding symbols consequently, e.g. B1065U1-12-AB. Refer to document "Additional modules_NT1065.pdf" for description and assembly options.