

Low-pass filter

SPECIFICATION

1 FEATURES

- SMIC CMOS 0.18 μ m
- Wide cut-off frequency adjustment range (1MHz...200MHz)
- Low group delay time ripple vs. frequency (3.5ns)
- Low pass filter cut-off frequency adjustment system (LPF CFAS)
- There are 4 operation modes
- No external components required
- Supported foundries: TSMC, UMC, Global Foundries, SMIC, iHP, AMS, Vanguard, SilTerra

2 APPLICATION

- Intermediate frequency signal processing
- Navigation systems including multisystems

3 OVERVIEW

The cell is based on 3rd order Butterworth low-pass filter (LPF) with cut-of frequency adjustment in a wide range. There are 2 modes for cut-off frequency programming: manual and automatically. The generator is used to control filter cut-off frequency in an automatic mode. Generator oscillation frequency correlates with cut-off frequency which can be fixed by digital code ctrl<6:0>.

There are 4 operation modes with different rated signal level under the same value of distortion. Greater level of signal corresponds to a higher current consumption.

It is possible to use several LPF with one generator for multichannel systems.

The block is fabricated on SMIC CMOS 0.18 μ m technology.

4 STRUCTURE

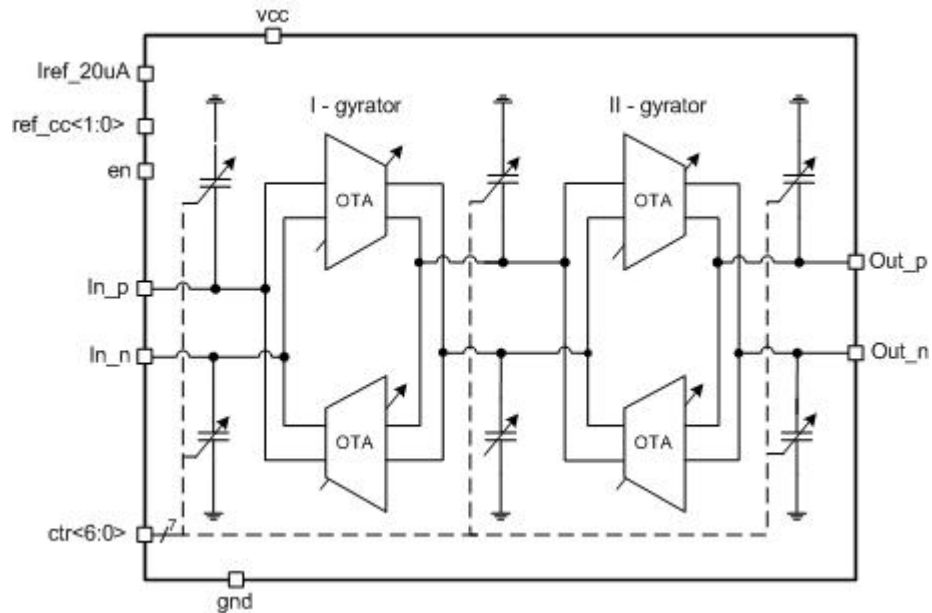


Figure 1: Low-pass filter structure.

5 PIN DESCRIPTION

Name	Direction	Description
In_p	I	Analog differential input
In_n	I	
ctr<6:0>	I	Digital code of LPF cut-off frequency adjustment system
ref_cc<1:0>	I	Reference voltage control
Iref_20uA	I	Reference current (20 μ A)
en	I	Enable/ disable
Out_p	O	Analog differential output
Out_n	O	
vcc	IO	Supply voltage
gnd	IO	Ground

6 LAYOUT DESCRIPTION

The block dimensions are given in the table 1.

Table 1: Block dimensions

Dimension	Value	Unit
Height	227.7	μm
Width	162.36	μm

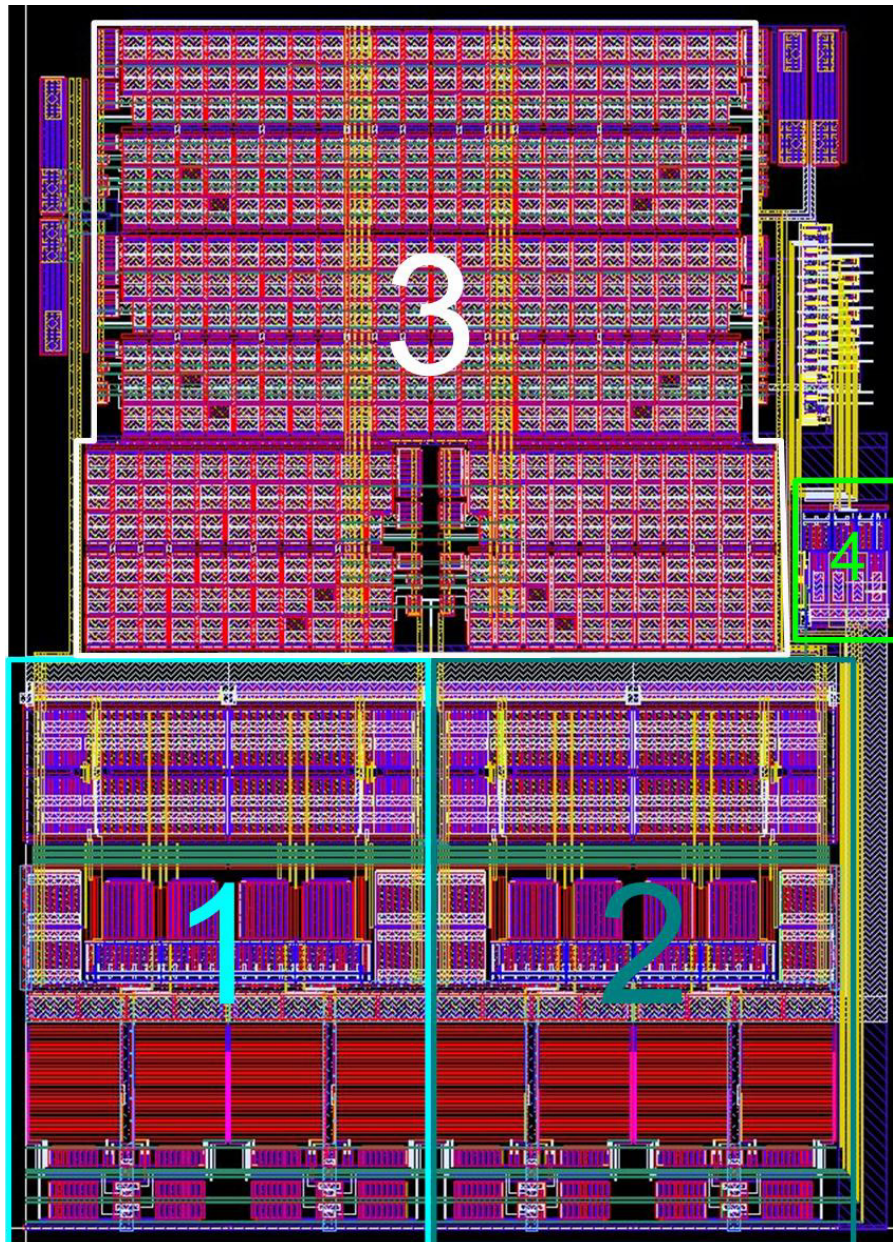


Figure 2: Low-pass filter layout view.

1. Gyrator 1
2. Gyrator 2
3. Tunable capacitors
4. Reference voltage former

7 OPERATING CHARACTERISTICS

7.1 TECHNICAL CHARACTERISTICS

Technology _____ SMIC CMOS 0.18 μ m
 Status _____ silicon proven
 Area _____ 0.04mm²

7.2 ELECTRICAL CHARACTERISTICS

The values of electrical characteristics are specified for $V_{cc} = 1.7 \div 1.9$ V and $T = -45 \div +90$ °C. Typical values are at $V_{cc} = 1.8$ V and $T = +27$ °C, unless otherwise specified.

Parameter	Symbol	Condition	Value			Unit
			min	typ	max	
Supply voltage	V_{cc}	-	1.7	1.8	1.9	V
Operating temperature range	T	-	-45	27	90	°C
Filter order	k	-	-	3	-	-
Insertion loss	G	-	-	-0.3	-	dB
Input signal bandwidth	F	-	-	18.07	-	MHz
Attenuation factor	α	At 25MHz	-	8.05	-	dB
		At 50MHz	-	24.08	-	
		At 100MHz	-	41.73	-	
Group delay time ripple	t_{del}	-	-	2.48	-	ns
Noise figure	NF	-	-	16.18	-	dB
Input 1dB compression point	P_{1dB}	-	-	-21.26	-21.54	dBm
Input impedance	R_{in}	-	-	2	-	k Ω
Output impedance	R_{out}	-	-	2	-	k Ω
Current consumption	I_{cc}	-	-	1.28	1.53	mA
Current consumption in a standby mode	I_{stb}	-	-	-	0.5	μ A
Input logic-high level	V_{IH}	For digital inputs	$0.7 V_{cc}$	-	3.6	V
Input logic-low level	V_{IL}		-0.25	-	0.3	V

8 DELIVERABLES

IP contents:

- Schematic or NetList
- Layout or blackbox
- Extracted view (optional)
- GDSII
- DRC, LVS, antenna report
- Test bench with saved configurations (optional)
- Documentation