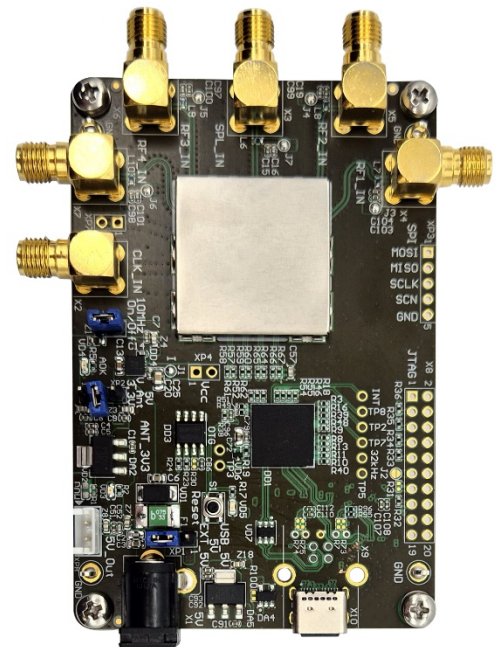


1. OVERVIEW

NT1068.2_USB3 is an evaluation platform for performance and capabilities demonstration of NT1068.2: 4-channel GPS/GLONASS/Galileo/BeiDou/NavIC/QZSS S, L1, L2, L3, L5, E1, E5a, E5b, E6, B1, B2, B3 band RF Front-End IC. It includes USB3 data converter thus allowing an user to process captured satellite signals on a PC. Data rate is configurable and may be as high as 800 Mbps (200 Mbps per channel).

2. KEY FEATURES

- IO ports:
 - RF splitter input with active antenna supply option
 - Every channel individual RF input with active antenna supply option
 - External reference frequency input (TCXO)
 - USB3.0 output
- On-board reference frequency sources:
 - 10 MHz 0.28ppm high-stability TCXO
- Additional modules:
 - 1-to-4 RF splitter
 - 2-to-4 RF splitter
 - 4-channel RF preselector
 - 1-to-5 RF splitter (SPL15-45514 or SPL15-465X5 recommended)
- Comprehensive software and manual:
 - NT1068.2 datasheet
 - NT1068.2_USB3 user manual
 - GUI for NT1068.2 registers access (Windows 7/8/8.1/10 compatible; Linux Ubuntu 18.04 compatible)
 - GUI for USB3 data capture
 - NT1068.2 configuration examples
 - Database of reference design



3. PACKAGE CONTENT

- PCB NT1068.2_USB3_v2 (NT1068.2_USB3 demo board)
- Power supply cable
- USB3.0 interface cable
- Link to online documentation and GUI

4. STRUCTURE

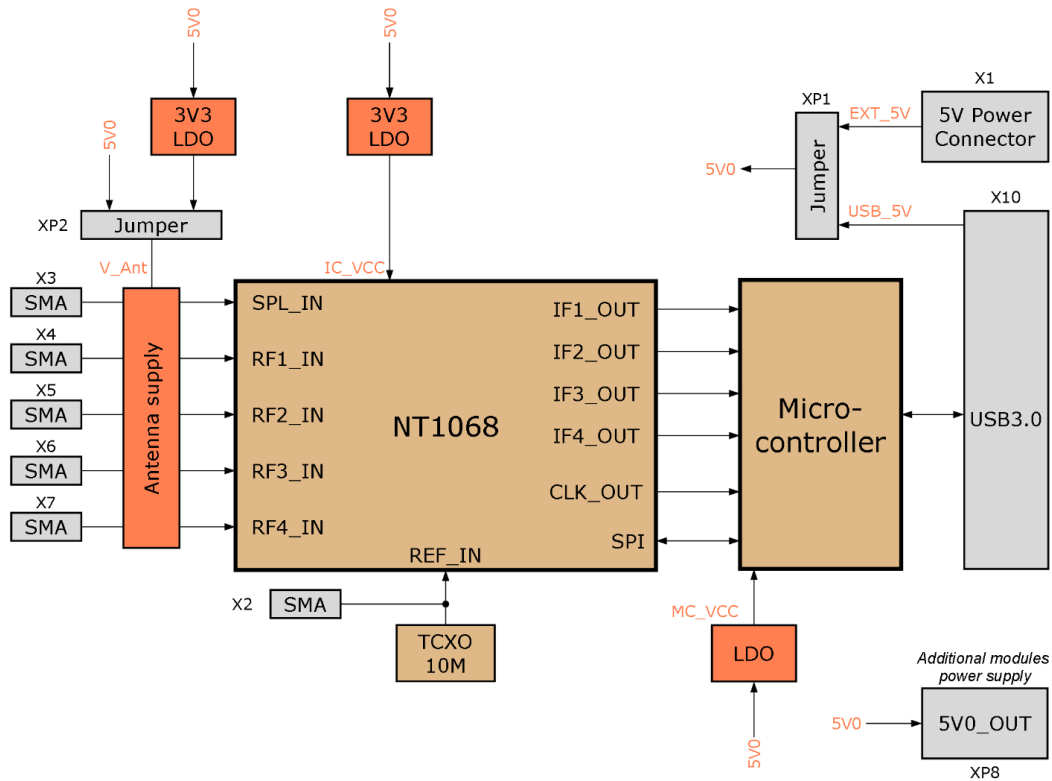


Figure 1: Block diagram

5. ORDERING INFORMATION

B1068U2 - **X** **X** - **Y**

11
12
21
22
33
41
42
44
54

Additional modules:

- X - No modules
- A - 1-to-4 RF splitter
- B - 2-to-4 RF splitter
- C - 4-channel RF preselector
- D - 1-to-5 RF splitter

Frequency range for channels 3# and #4:

- 1 - L1: 1530 – 1620 MHz
- 2 - L2/L3/L5: 1150 – 1250 MHz
- 3 - S: 2460 – 2530 MHz
- 4 - L1 for channel #3 + L3/L5 for channel #4

Frequency range for channels #1 and #2:

- 1 - L1: 1530 – 1620 MHz
- 2 - L2/L3/L5: 1150 – 1250 MHz
- 3 - S: 2460 – 2530 MHz
- 4 - S for channel #1 + L2 for channel #2
- 5 - L3 for channel #1 + E6 for channel #2

If several additional modules are required, please, add corresponding symbols consequently, e.g. B1068U2-44-AB. Refer to documents [NT1065_Additional modules_vx.xx.pdf](#) and document [RF_Splitter_1_to_5_vx.x.pdf](#) for description and assembly options.